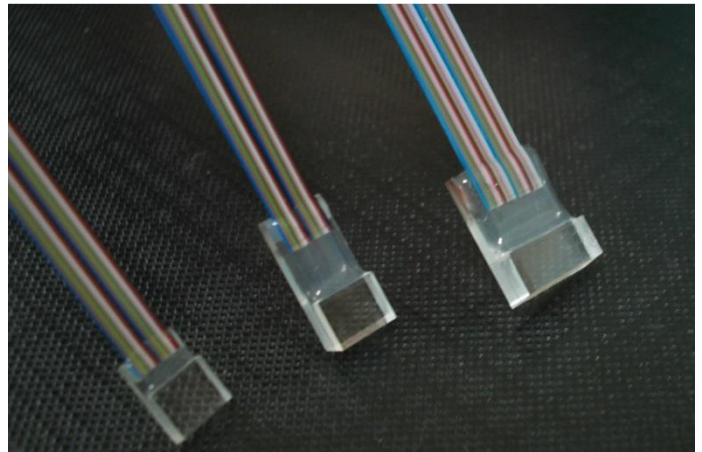


Description

Browave Fiber Array can be composed by several of substrate material as Glass, Quartz, or Silicon. The V-trench can be fulfilled by dicing machine or by substrate etching. The typical pitch tolerance is $\pm 0.5\mu\text{m}$ and channel count can be up to 128ch.

Features

- ▶ Different substrate material available.
- ▶ High channel count up to 128ch
- ▶ Customized polishing angle
- ▶ Customized dimension & pitch distance
- ▶ Converting mode field diameter to $3\mu\text{m}$
- ▶ Polarization maintenance fiber available



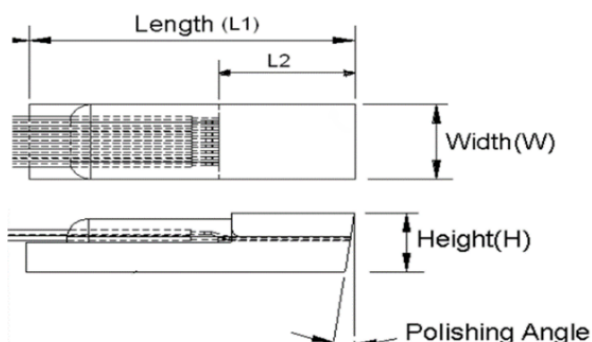
Application

- ▶ PLC assembling for FTTH
- ▶ AWG assembling for WDM PON
- ▶ SIP assembling for Data Center Transceiver
- ▶ Fiber optical sensing & 4D LiDAR

Specification

Parameter	Unit	Channel Count											
		1	2	4	8	12	24	48	16	32	64	128	
Material	-	Pyrex, Tempax, Quartz, Silicon											
Core Pitch	um	-	250					127					
Core Pitch Tolerance	um	± 0.5					± 0.7					± 1	
Polish Angle	Degree	0, 8, or Customized (12, 41, ...etc)											
Top Angle	Degree	90 or Customized											
Fiber Type	-	Single Mode Fiber, Multimode Fiber, Polarization Maintenance Fiber (1f, 4/8/12f Ribbon)											
Operating Temperature	°C	-40 ~ 85											
Storage Temperature	°C	-40 ~ 85											
Typical Dimension (WxHxL)	W	mm	2.5	2.5	2.5	2.5	3.2	5.7	9.0	3.2	5.7	10.0	17.8
	H		2.5										
	L		8	8	8	10	10	12	12	12	12	12	15
Small Dimension (WxHxL)	W	mm	1.5	1.5	2	2.5	3.5	Customized					
	H		1.4	1.5	1.5	1.5	1.5						
	L		4	4	4	5	5						

Dimension Drawing

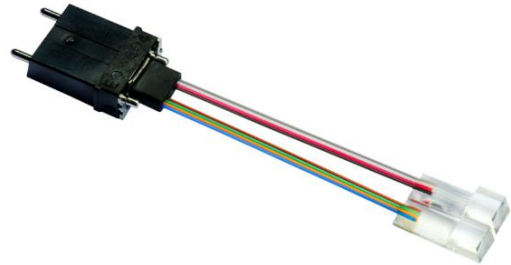


Application Examples

- ▶ Fiber Array with Stepped Lid and 45 Degree Polished



- ▶ Fiber Array + MT Ferrule



- ▶ 90 Degree Fiber Array + MT Ferrule



- ▶ Fiber Array + Lens Array



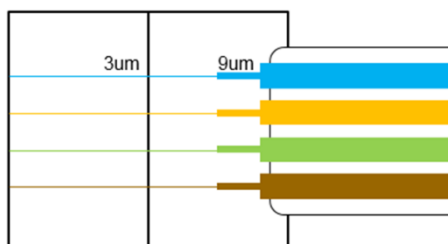
- ▶ Fiber Array + Receptacle



- ▶ AR Coated Fiber Array (R<0.15% within 1260nm~1650nm)



- ▶ Mode Field Diameter Converting



- ▶ Polarization Maintenance Fiber Array (Extinction Ratio >25dB)

